

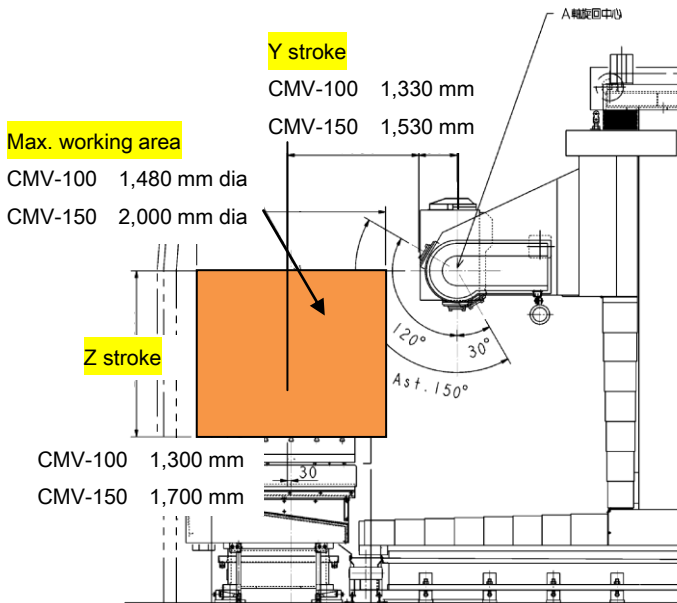
SHIN NIPPON KOKI 5-Axis Machining Center

CMV-100/150 with FANUC 31i- B5

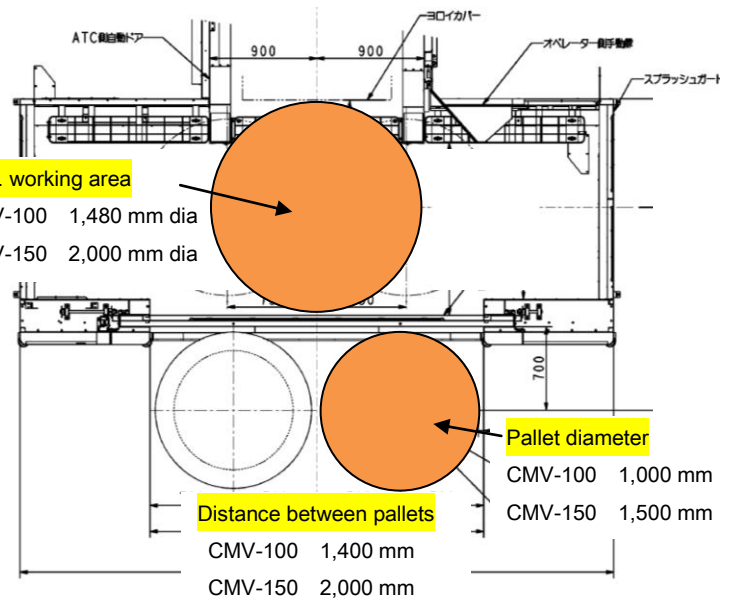


Specification			
Item		Unit	
Pallet size		mm	CMV-100: 1,000 x 1,000 CMV-150: 1,500 x 1,500
Work piece weight on pallet		kg	CMV-100: 2,000 CMV-150: 4,000
Milling spindle rotation speed (BBT-50)		min-1	CMV-100: 40 to 8,000 CMV-150: 25 to 5,000
Milling spindle motor (30min /cont.)		kW	CMV-100: 25 / 22 CMV-150: 37 / 30
Travel	X axis	mm	CMV-100: 1,500 CMV-150: 2,000
	Y axis	mm	CMV-100: 1,330 CMV-150: 1,530
	Z axis	mm	CMV-100: 1,300 CMV-150: 1,700
	A axis	deg.	CMV-100: +30 to -120 CMV-150: +30 to -120
	C axis	deg.	CMV-100: +/- 360 cont. CMV-150: +/- 360 cont.
Rapid traverse	X, Y, Z axis	m/min	CMV-100: 40 CMV-150: 30
	A, C axis	deg./min	CMV-100: 2,880 CMV-150: 2,880
CNC system			FANUC 31i-B5

Working area



High stability construction

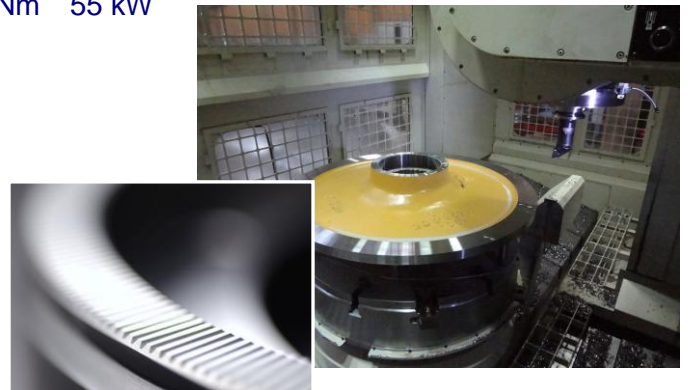
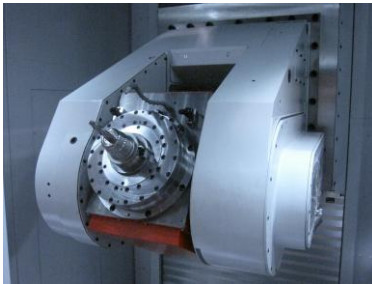


Large working area

Spindle

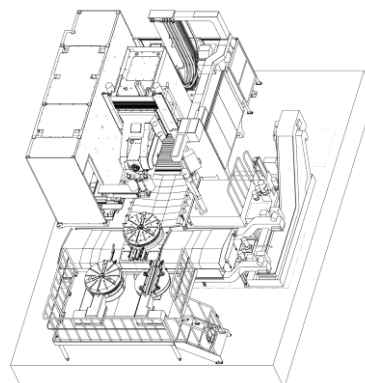
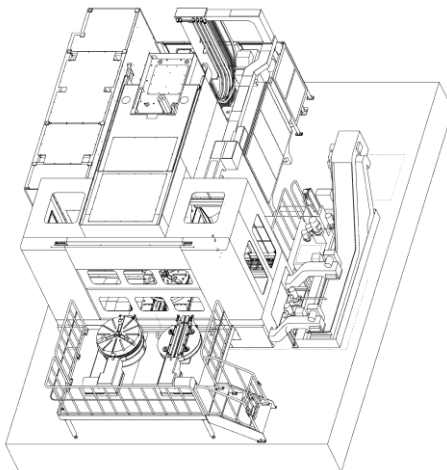
Selection of Spindle speed and power configuration

High torque version:	5,000min ⁻¹	1,009 Nm	37 kW
General use:	8,000min ⁻¹	600 Nm	25 kW
High Speed version:	15,000min⁻¹	350 Nm	55 kW



Splash guard

3 piece coupling locking Turning spindle

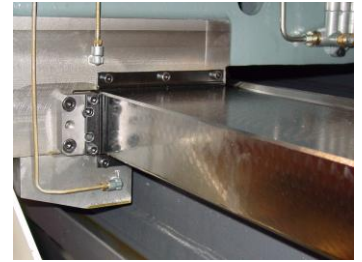


Fully enclosed splash guard

Option

1) Box guide way

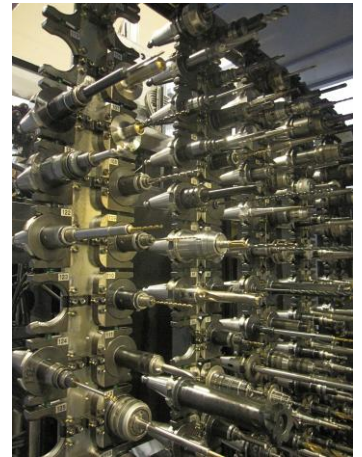
Rapid feed 20m/min (X,Y,Z), 1,500 dpm (A,C)



2) ATC device

No. of Tool 40, 50, 60, 80 (Chain type)

No. of Tool 130, 200, 300 (Matrix type)



3) Multi pallets

Twin pallet APC

Pallet pool line

AGV

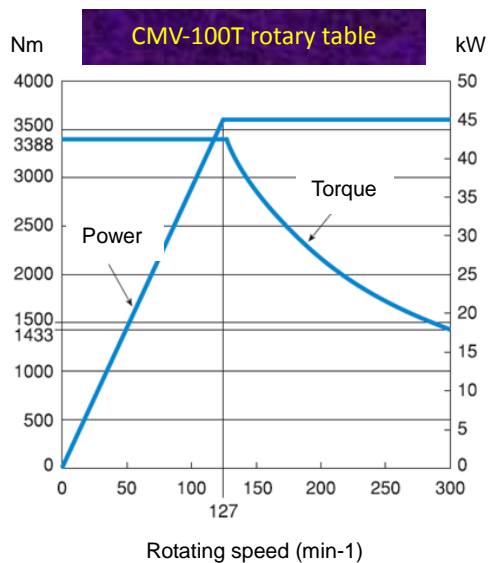
Stacker crane

FASTEMS interface

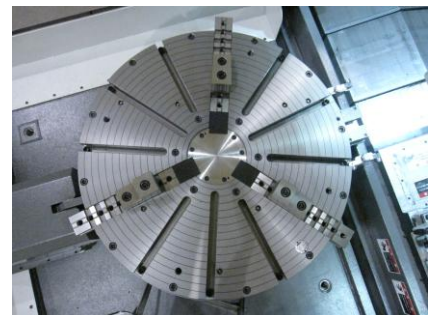
4) Turning function (Rotating pallet)



	CMV-100T	CMV-150T
Table rotation speed	1 to 300 min ⁻¹	1 to 150 min ⁻¹
Motor power	45 kW (cont.)	100 kW (cont.)
Motor torque	3,388 Nm	7,000 Nm
Loading capacity	1,000 kg	2,000 kg
Self-rotate set-up station	Yes	Yes



Including 3 jaws or 4 jaws chuck



For more information visit us at www.snk-europe.de

